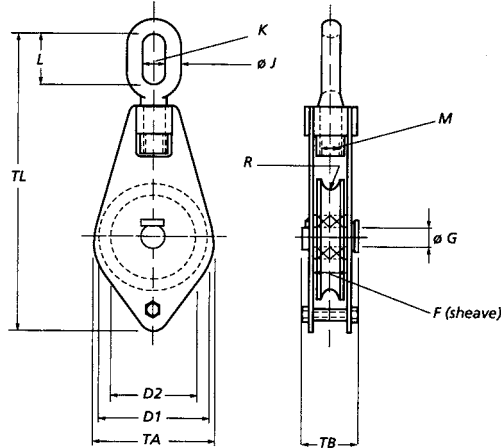


Ball Bearing Blocks HL Series 1 Sheave

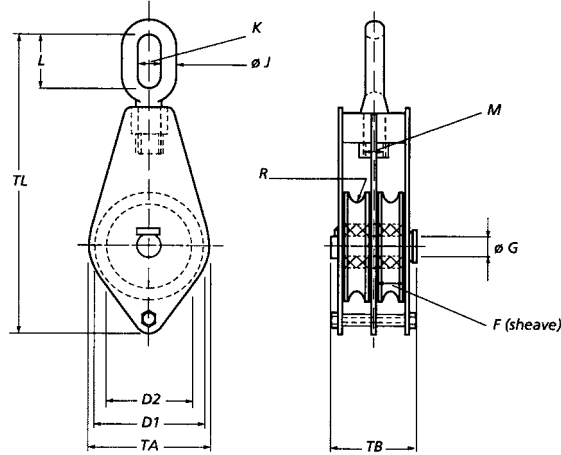


| Stock No. | WLL (t) | Wire size up to (mm) | Dimensions (mm) | | | | | | | | | | | Weight (kg) | |
|--------------|---------|----------------------|-----------------|-----|----|----|----|----|----|----|----|-----|----|-------------|----|
| | | | D1 | D2 | F | ØG | ØJ | K | L | M | R | TA | TB | | TL |
| 15.150.03.10 | 3 | 20 | 150 | 120 | 32 | 30 | 21 | 32 | 72 | 30 | 11 | 160 | 75 | 385 | 10 |

Minimum Ultimate Strength = 4 x WLL.

- Standard zinc electroplated.
- Sheave fitted with double sealed ball bearings, grease lubricated.

Ball Bearing Blocks HL Series 2 Sheaves



| Stock No. | WLL (t) | Wire size up to (mm) | Dimensions (mm) | | | | | | | | | | | Weight (kg) | |
|--------------|---------|----------------------|-----------------|-----|----|----|----|----|----|----|----|-----|-----|-------------|----|
| | | | D1 | D2 | F | øG | øJ | K | L | M | R | TA | TB | | TL |
| 15.150.03.20 | 3 | 20 | 150 | 120 | 32 | 30 | 21 | 32 | 72 | 30 | 11 | 160 | 120 | 385 | 16 |

Minimum Ultimate Strength = 4 x WLL.

- Standard zinc electroplated.
- Sheave fitted with double sealed ball bearings, grease lubricated.