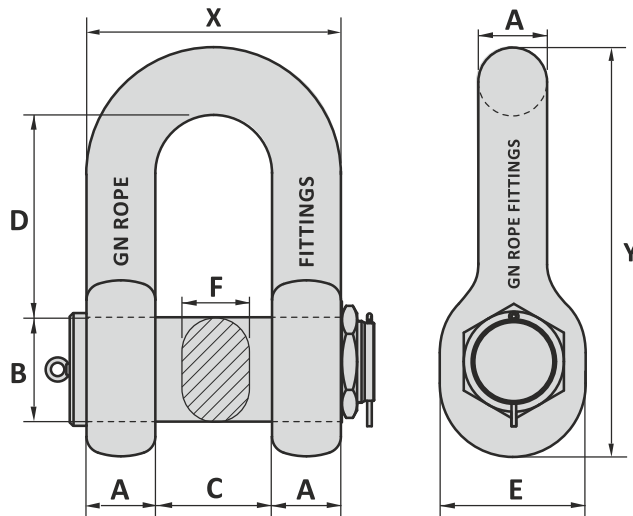


ANCHOR SHACKLE WITH OVAL PIN

TYPE D17

Material : Forged steel R3/R3S/R4/R4S
 Finish : Painted
 Standards : ISO 1704
 Temperature range : -40°C up to +200°C; Polar Rated
 Standard certification : Certificate of Conformity
 3.1 material certificate EN 10204

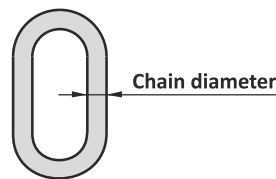
Also to be used for mooring applications
 Non-standard sizes or custom products available on request



Dimensions for shackles are calculated by multiplying the common link size by the factor shown in this drawing.

Dimensions related to nominal chain diameter

A = 1.4 x chain diameter
 B = 1.8 x chain diameter
 C = 2.4 x chain diameter
 D = 4.6 x chain diameter
 E = 3.1 x chain diameter
 F = 1.4 x chain diameter
 X = 5.2 x chain diameter
 Y = 8.7 x chain diameter



Tolerance: According ISO 1704

GN ROPE FITTINGS

North American Stocking Distributor

8125 Saran Dr. • Playa del Rey, CA 90293
 Phone: 310.448.5444 • Fax: 310.448.5446
 sales@awrrinc.com
 www.AssociatedWireRope.com

Associated
 WIRE ROPE & RIGGING

