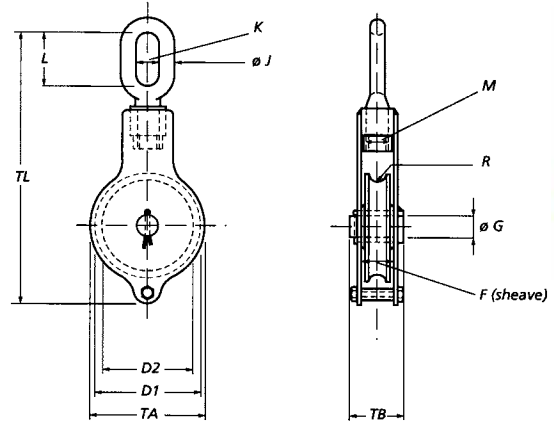


Flayt Rope Blocks 1 Sheave

Can also be delivered with:



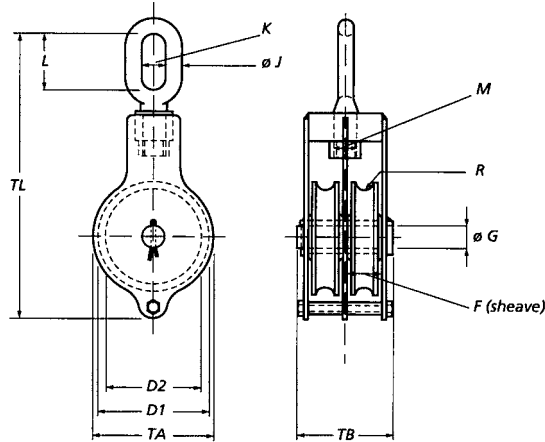
Stock No.	WLL (t)	Wire size up to (mm)	No of Shvs	Dimensions (mm)												Weight (kg)
				D1	D2	F	ØG	ØJ	K	L	M	R	TA	TB	TL	
16.150.03.10	3	32	1	150	130	38	20	21	32	72	27	16.5	160	70	380	6.5
16.150.03.11	3	32	1	150	130	38	20	21	32	72	27	16.5	160	70	380	6.5

Minimum Ultimate Strength = 4 x WLL.

- Standard zinc electroplated.
- Standard fitted with PTFE bearings.
- For ordering Flayt rope blocks with becket, the last digit of the stock number should be 1 (instead of 0).

Flayt Rope Blocks 2 Sheaves

Can also be delivered with:



Stock No.	WLL (t)	Wire size up to (mm)	No of Shvs	Dimensions (mm)												Weight (kg)
				D1	D2	F	øG	øJ	K	L	M	R	TA	TB	TL	
16.150.05.20	5	32	2	150	130	38	20	26	40	94	33	16.5	160	115	425	12
16.150.05.21	5	32	2	150	130	38	20	26	40	94	33	16.5	160	115	425	12

Minimum Ultimate Strength = 4 x WLL.

- Standard zinc electroplated.
- Standard fitted with PTFE bearings.
- For ordering Flayt rope blocks with becket, the last digit of the stock number should be 1 (instead of 0).