

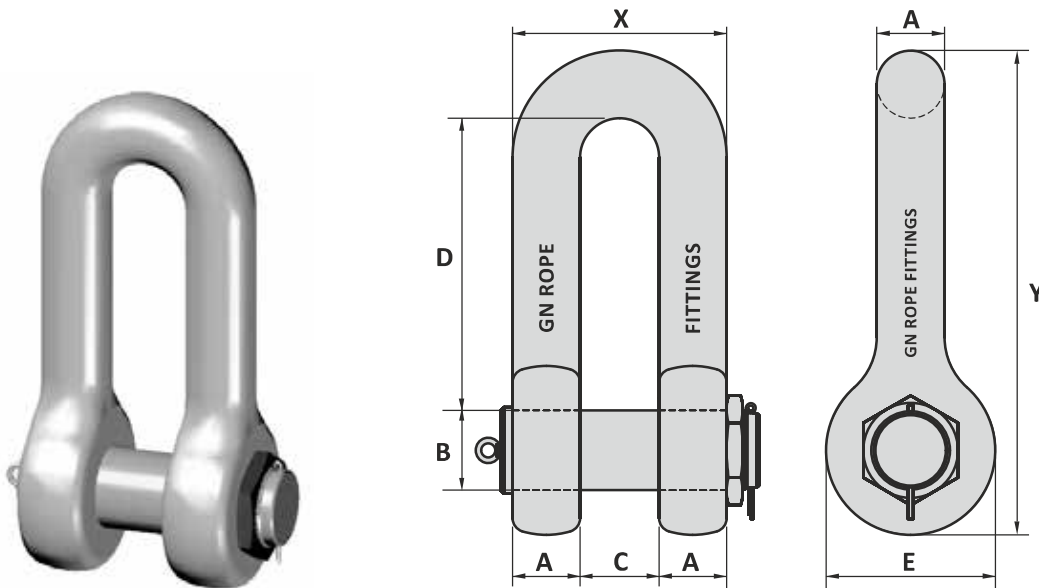
# END JOINING SHACKLE WITH ROUND PIN

## TYPE D14

Material	: Forged steel R3/R3S/R4/R4S
Finish	: Painted
Standards	: ABNT NBR 13715
Temperature range	: -40°C up to +200°C; Polar Rated
Standard certification	: Certificate of Conformity 3.1 material certificate EN 10204

Also to be used for mooring applications

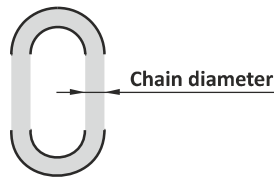
Non-standard sizes or custom products available on request



Dimensions for shackles are calculated by multiplying the common link size by the factor shown in this drawing.

#### Dimensions related to nominal chain diameter

A	= 1.2 x chain diameter
B	= 1.4 x chain diameter
C	= 1.4 x chain diameter
D	= 5.2 x chain diameter
E	= 3.0 x chain diameter
X	= 3.8 x chain diameter
Y	= 8.6 x chain diameter



Tolerance: According ABNT NBR 13715

# GN ROPE FITTINGS

North American Stocking Distributor

8125 Saran Dr. • Playa del Rey, CA 90293

Phone: 310.448.5444 • Fax: 310.448.5446

sales@awrrinc.com

www.AssociatedWireRope.com

