

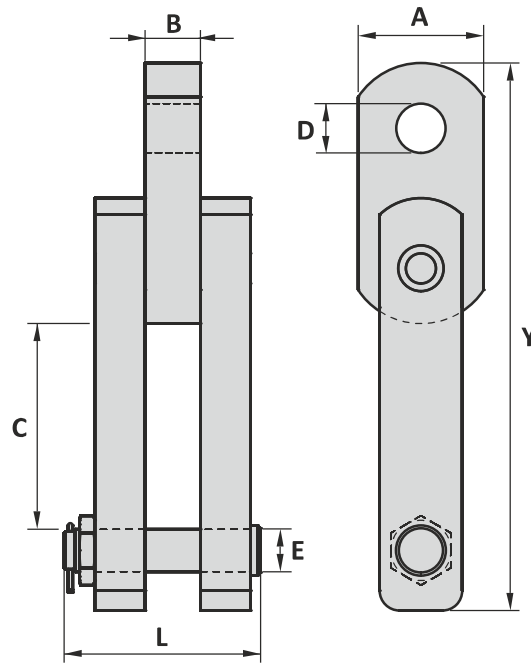
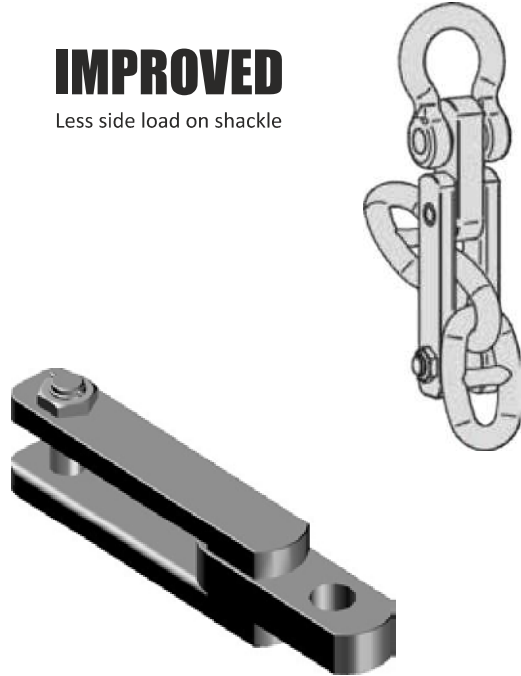
# TUNING FORK

# TYPE TF1

Material : High tensile steel  
 Safety factor : 4 times  
 Finish : Painted  
 Temperature range : -4°F up to +392°F  
 Standard certification : Certificate of Conformity

## IMPROVED

Less side load on shackle



Art. No.	Chain inch	WLL ton	A inch	B inch	C inch	D inch	E inch	L inch	Y inch	Weight lbs
46000001	2 ½	55	7 ⅞	2 ⅛	10 ⅜	2 ⅛	2 ⅜	9 ⅜	34 ⅞	417
46000002	2 ¾	85	8 ⅜	3 ⅛	11 ⅜	3 ⅛	2 ⅜	11 ⅜	35 ⅞	443
46000003	3	110	9 ⅞	3 ⅛	13	3 ⅞	2 ¾	15 ⅞	36 ½	487
46000004	3 ¼	110	9 ⅞	3 ⅞	14 ⅜	3 ⅞	3 ⅝	15 ⅞	37 ⅞	522
46000005	3 ½	120	9 ⅞	4 ⅞	15 ⅜	3 ⅞	3 ⅞	15 ⅞	39 ⅞	597
46000006	3 ¾	120	9 ⅞	4 ⅞	16 ⅞	3 ⅞	3 ⅞	15 ⅞	42 ⅞	694
46000007	4	150	9 ⅞	4 ⅞	17 ⅞	4 ⅞	3 ⅞	16 ⅞	49 ⅞	955
46000008	4 ¼	180	12 ⅞	5 ⅞	18 ⅞	5 ⅞	3 ¾	19 ⅞	52 ⅞	1197
46000009	4 ½	200	13	5 ⅞	19 ⅞	5 ⅞	3 ⅞	20 ⅞	54 ⅞	1387
46000010	4 ¾	225	13 ⅞	5 ⅞	20 ⅞	5 ⅞	4 ⅞	21 ⅞	56 ⅞	1574

Tolerance: Forged parts ± 5%, machined parts ± ½ inch

# GN ROPE FITTINGS

North American Stocking Distributor



8125 Saran Dr. • Playa del Rey, CA 90293  
 Phone: 310.448.5444 • Fax: 310.448.5446  
 sales@awrrinc.com  
 www.AssociatedWireRope.com



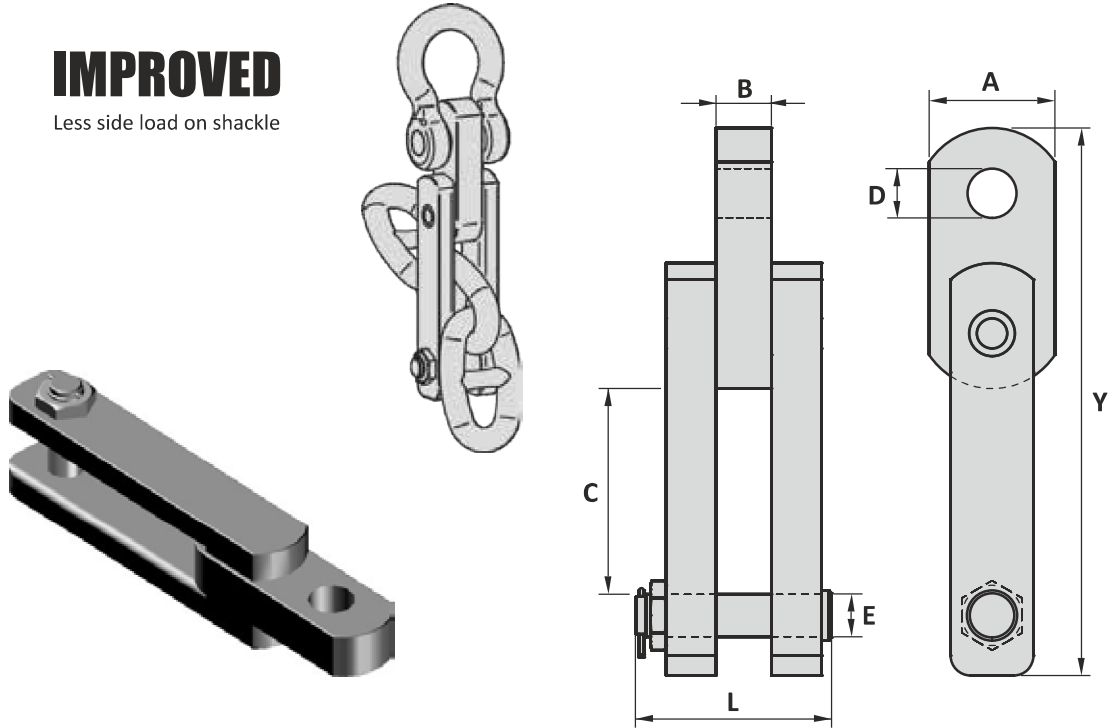
# TUNING FORK

# TYPE TF1

Material : High tensile steel  
 Safety factor : 4 times  
 Finish : Painted  
 Temperature range : -20°C up to +200°C  
 Standard certification : Certificate of Conformity

## IMPROVED

Less side load on shackle



Art. No.	Chain inch	WLL ton	A mm	B mm	C mm	D mm	E mm	L mm	Y mm	Weight kg
46000001	2 ½	55	200	75	275	75	60	245	872	189
46000002	2 ¾	85	220	85	300	85	60	290	892	201
46000003	3	110	240	100	330	98	70	384	927	221
46000004	3 ¼	110	240	100	360	98	80	384	957	237
46000005	3 ½	120	250	110	390	98	85	391	993	271
46000006	3 ¾	120	250	110	410	98	85	391	1091	315
46000007	4	150	250	120	440	115	90	421	1262	433
46000008	4 ¼	180	320	130	470	130	95	496	1325	543
46000009	4 ½	200	330	140	490	135	100	510	1385	629
46000010	4 ¾	225	350	150	520	145	105	540	1447	714

Tolerance: Forged parts ± 5%, machined parts ± 1 mm

# GN ROPE FITTINGS

North American Stocking Distributor



8125 Saran Dr. • Playa del Rey, CA 90293  
 Phone: 310.448.5444 • Fax: 310.448.5446  
 sales@awrrinc.com  
 www.AssociatedWireRope.com



GENERAL

SHACKLES

THIMBLES

SOCKETS

LINKS

SWIVELS

HOOKS

MOORING

SPECIALS