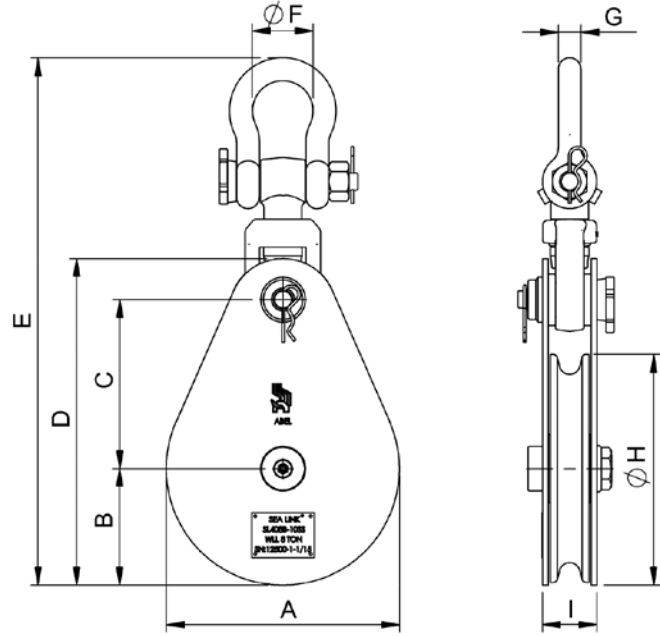


# Series 400 Steel Shell Wire Rope Snatch Blocks





Swivel Shackle (SS)



Tailboard (TB)



Swivel Hook (SH)



Top Dead End (TDE)

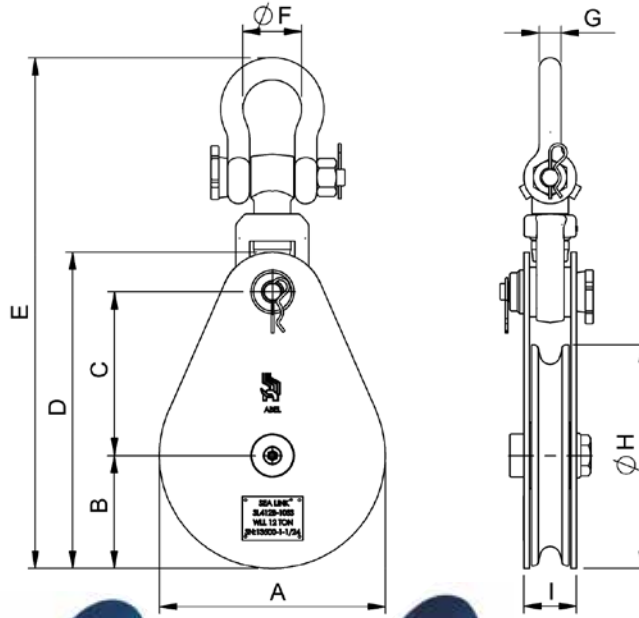
Model Nr.	WLL Tn	Wire Rope ØR	Dimensions									Weight (lbs)		
												SS	SH	TB
			A	B	C	D	E	ØF	G	ØH	I	Swivel Shackle	Swivel Hook	Tailboard
SL402B-3	2	5/16 - 3/8	3	1.5	2.7	5	9.5	1.3	0.5	3	1.4	5	5	
SL404B-4.5	4	3/8 - 1/2	4.6	2.3	4.2	7.6	13.5	1.9	0.7	4.5	1.9	13	13	
SL408B-6	8	5/8 - 3/4	6	3	5.1	9.9	18.8	2.7	1	6	2.3	30	33	18
SL408B-8	8	5/8 - 3/4	8	4	6.3	12	20.9	2.7	1	8	2.4	39	42	28
SL408B-10	8	5/8 - 3/4	10.2	5.1	7.4	14.4	23.3	2.7	1	10	2.4	46	49	34
SL408B-12	8	5/8 - 3/4	12.0	6	9.2	17	25.9	2.7	1	12	2.4	58	61	47

- Blocks built to 4:1 Design Factor.
- Available with these top fittings - Swivel Hook (SH), Swivel Shackle (SS), Tailboard (TB) and Top Dead End (TDE).
- Available with Bronze Bushing (B).
- All accessories are forged.
- Products are manufactured under the Standard ASME B30.26
- Dimensions shown represent current models and are subject to change.
- Blocks shown are standard models.
- Custom models available upon request.

See our warnings & application instructions



Swivel Shackle (SS)



Tailboard (TB)



Swivel Hook (SH)



Top Dead End (TDE)

Model Nr.	WLL Tn	Wire Rope ØR	Dimensions									Weight (lbs)		
			A	B	C	D	E	ØF	G	ØH	I	SS	SH	TB
												Swivel Shackle	Swivel Hook	Tailboard
SL412B-6	12	3/4 - 7/8	6	3	5.1	9.9	18.8	2.7	1	6	2.3	30	33	19
SL412B-8	12	3/4 - 7/8	8	4	6.3	12	20.9	2.7	1	8	2.4	39	42	28
SL412B-10	12	3/4 - 7/8	10.2	5.1	7.4	14.4	23.3	2.7	1	10	2.4	46	49	34
SL412B-12	12	3/4 - 7/8	12	6	9.2	17	25.9	2.7	1	12	2.4	58	61	47

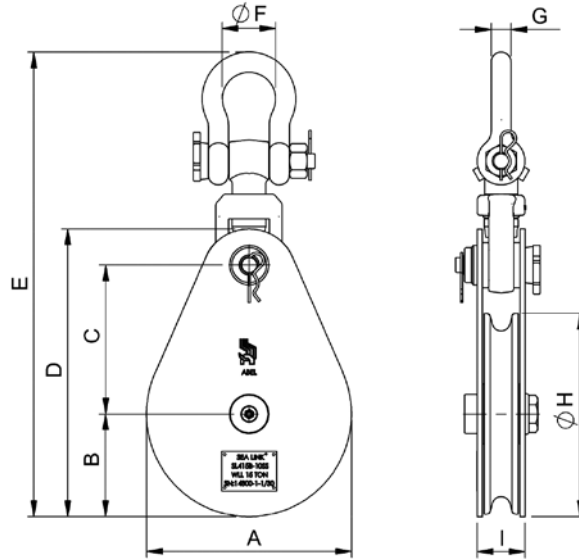
Model Nr.	WLL Tn	Wire Rope ØR	Dimensions									Weight (lbs)		
			A	B	C	D	E	ØF	G	ØH	I	SS	SH	TB
												Swivel Shackle	Swivel Hook	Tailboard
SL412R-8	12	3/4 - 7/8	8	4	6.3	12	20.9	2.7	1	8	2.4	39	42	28
SL412R-10	12	3/4 - 7/8	10.2	5.1	7.4	14.4	23.3	2.7	1	10	2.4	46	49	34
SL412R-12	12	3/4 - 7/8	12	6	9.2	17	25.9	2.7	1	12	2.4	58	61	47

- Blocks built to 4:1 Design Factor.
- Available with these top fittings - Swivel Hook (SH), Swivel Shackle (SS), Tailboard (TB) and Top Dead End (TDE).
- Available with Bronze Bushing (B) and Roller Bearing (R).
- All accessories are forged.
- Products are manufactured under the Standard ASME B30.26
- Dimensions shown represent current models and are subject to change.
- Blocks shown are standard models.
- Custom models available upon request.

See our warnings & application instructions



Swivel Shackle (SS)



Tailboard (TB)



Top Dead End (TDE)

Model Nr.	WLL Tn	Wire Rope ØR	Dimensions									Weight (lbs)	
			A	B	C	D	E	ØF	G	ØH	I	SS	TB
												Swivel Shackle	Tailboard
SL415B-8	15	3/4 - 7/8	8	4	7	12.5	23.2	3	1.1	8	3	59	38
SL415B-10	15	3/4 - 7/8	10.2	5.1	7.9	14.9	25.6	3	1.1	10	3	69	47
SL415B-12	15	3/4 - 7/8	12	6	9.2	17.5	28.2	3	1.1	12	3	80	57

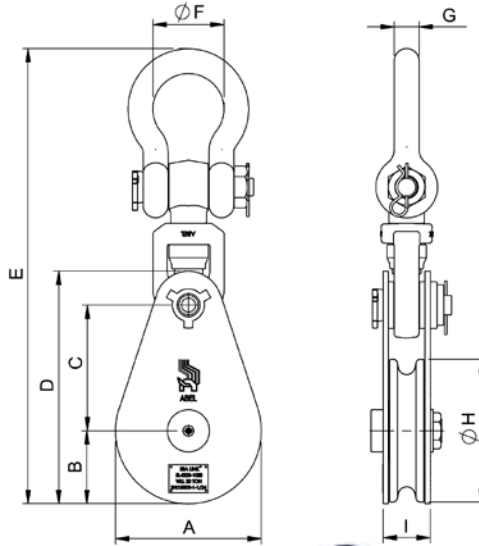
Model Nr.	WLL Tn	Wire Rope ØR	Dimensions									Weight (lbs)	
			A	B	C	D	E	ØF	G	ØH	I	SS	TB
												Swivel Shackle	Tailboard
SL415R-8	15	3/4 - 7/8	8	4	7	12.5	23.2	3	1.1	8	3	59	38
SL415R-10	15	3/4 - 7/8	10.2	5.1	7.9	14.9	25.6	3	1.1	10	3	69	47
SL415R-12	15	3/4 - 7/8	12	6	9.2	17.5	28.2	3	1.1	12	3	80	57

- Blocks built to 4:1 Design Factor.
- Available with these top fittings - Swivel Shackle (SS), Tailboard (TB) and Top Dead End (TDE).
- Available with Bronze Bushing (B) and Roller Bearing (R).
- All accessories are forged.
- Products are manufactured under the Standard ASME B30.26
- Dimensions shown represent current models and are subject to change.
- Blocks shown are standard models.
- Custom models available upon request.

See our warnings & application instructions



Swivel Shackle (SS)



Tailboard (TB)



Top Dead End (TDE)

Model Nr.	WLL Tn	Wire Rope ØR	Dimensions									Weight (lbs)	
			A	B	C	D	E	ØF	G	ØH	I	SS	TB
												Swivel Shackle	Tailboard
SL420B-8	20	1-1 1/8	8.0	4.0	8.0	14.4	28.1	3.6	1.4	8	3.3	90	51
SL420B-10	20	1-1 1/8	10.2	5.1	8.8	16.4	30.1	3.6	1.4	10	3.3	103	64
SL420B-12	20	1-1 1/8	12.0	6.0	10.0	18.4	32.2	3.6	1.4	12	3.3	118	79

Model Nr.	WLL Tn	Wire Rope ØR	Dimensions									Weight (lbs)	
			A	B	C	D	E	ØF	G	ØH	I	SS	TB
												Swivel Shackle	Tailboard
SL420R-8	20	1-1 1/8	8.0	4.0	8.0	14.4	28.1	3.6	1.4	8	3.3	90	51
SL420R-10	20	1-1 1/8	10.2	5.1	8.8	16.4	30.1	3.6	1.4	10	3.3	103	64
SL420R-12	20	1-1 1/8	12.0	6.0	10.0	18.4	32.2	3.6	1.4	12	3.3	118	79

- Blocks built to 4:1 Design Factor.
- Available with these top fittings - Swivel Shackle (SS), Tailboard (TB) and Top Dead End (TDE).
- Available with Bronze Bushing (B) and Roller Bearing (R).
- All accessories are forged.
- Products are manufactured under the Standard ASME B30.26
- Dimensions shown represent current models and are subject to change.
- Blocks shown are standard models.
- Custom models available upon request.

See our warnings & application instructions