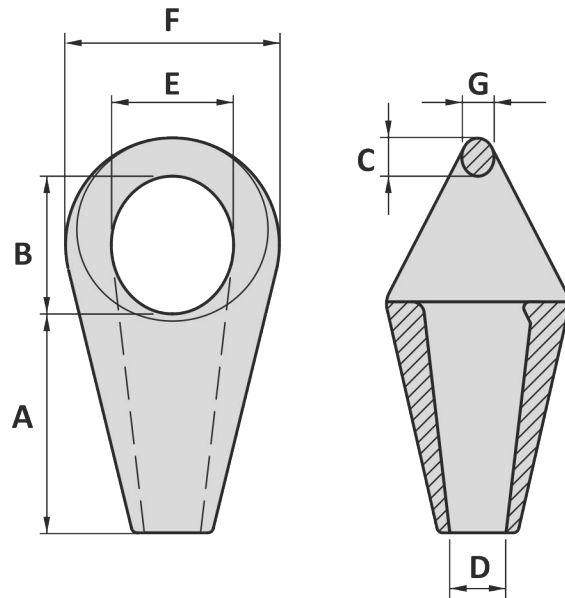


Material : Cast steel  
 Safety factor : 5 times  
 Finish : Painted/Galvanized  
 ≤ Type No. 519 standard galvanized  
 Temperature range : -40°C up to +200°C, Polar Rated  
 Standard certification : Certificate of Conformity  
 3.1 material certificate EN 10204

*CR sockets give the best possible connection between a chain and rope anchoring system. These sockets included our non-rotating system (NRS-system) which prevents the tump for turning or slipping out of the cone and guarantee a high performance connection.*



~ specification: 1 = Painted, 9 = Galvanized

Art. No.	Type No.	Wire dia mm	Wire dia inch	WLL ton	MBL ton	A mm	B mm	C mm	D mm	E mm	F mm	G mm	Weight kg
4700512~	512	31 - 36	1 ¼ - 1 ½	28	140	140	85	38	39	75	124	35	7.2
4700517~	517	38 - 42	1 ½ - 1 ¾	32	160	160	110	42	44	92	150	38	11
4700519~	519	43 - 48	1 ¾ - 1 ¾	40	200	188	128	50	51	110	180	45	18
4700522~	522	49 - 54	2 - 2 ½	50	250	215	125	55	57	115	200	50	25
4700524~	524	55 - 60	2 ¼ - 2 ¾	60	300	230	145	65	63	135	230	57	35
4700526~	526	61 - 68	2 ½ - 2 ¾	80	400	250	160	75	73	160	262	65	51
4700527~	527	69 - 75	2 ¾ - 2 ¾	100	500	280	175	80	79	171	278	70	62
4700528~	528	76 - 80	3 - 3 ⅛	120	600	315	210	85	86	184	300	75	75
4700529~	529	81 - 86	3 ¼ - 3 ¾	140	700	340	205	100	92	204	320	90	93
4700530~	530	87 - 93	3 ½ - 3 ¾	160	800	360	220	105	99	215	340	95	110
4700531~	531	94 - 102	3 ¾ - 4	180	900	380	240	110	108	234	376	100	141
4700533~	533	108 - 115	4 ¼ - 4 ½	200	1000	450	260	125	120	252	400	110	186
4700540~	540	122 - 130	4 ¾ - 5	250	1250	517	293	140	140	275	460	125	317

Tolerance: ± 5%, machined parts ± 1 mm

Art. No.	Type No.	Wire dia mm	Wire dia inch	WLL ton	MBL ton	A inch	B inch	C inch	D inch	E inch	F inch	G inch	Weight lbs
4700512~	512	31 - 36	1 ¼ - 1 ½	28	140	5 ½	3 1/16	1 ½	1 1/16	2 1/16	4 ¾	1 ¾	16
4700517~	517	38 - 42	1 ½ - 1 ¾	32	160	6 5/16	4 5/16	1 21/32	1 ¼	3 ¾	5 29/32	1 ½	24
4700519~	519	43 - 48	1 ¾ - 1 ¾	40	200	7 13/32	5 1/32	1 31/32	2	4 5/16	7 3/32	1 25/32	40
4700522~	522	49 - 54	2 - 2 ½	50	250	8 15/32	4 15/16	2 5/32	2 ¼	4 17/32	7 7/8	1 31/32	55
4700524~	524	55 - 60	2 ¼ - 2 ¾	60	300	9 1/16	5 23/32	2 9/16	2 15/32	5 5/16	9 1/16	2 ¼	77
4700526~	526	61 - 68	2 ½ - 2 ¾	80	400	9 27/32	6 5/16	2 15/16	2 7/8	6 5/16	10 5/16	2 5/16	112
4700527~	527	69 - 75	2 ¾ - 2 ¾	100	500	11 1/32	6 7/8	3 5/32	3 3/8	6 ¾	10 15/16	2 ¾	137
4700528~	528	76 - 80	3 - 3 ⅛	120	600	12 13/32	8 ¼	3 11/32	3 3/8	7 ¼	11 13/16	2 15/16	165
4700529~	529	81 - 86	3 ¼ - 3 ¾	140	700	13 3/8	8 1/16	3 15/16	3 5/8	8 1/32	12 19/32	3 9/16	205
4700530~	530	87 - 93	3 ½ - 3 ¾	160	800	14 3/16	8 21/32	4 1/8	3 29/32	8 15/32	13 3/8	3 ¾	243
4700531~	531	94 - 102	3 ¾ - 4	180	900	14 31/32	9 7/16	4 5/16	4 ¼	9 3/32	14 13/16	3 15/16	311
4700533~	533	108 - 115	4 ¼ - 4 ½	200	1000	17 23/32	10 ¼	4 15/16	4 23/32	9 15/16	15 ¾	4 5/16	410
4700540~	540	122 - 130	4 ¾ - 5	250	1250	20 11/32	11 17/32	5 ½	5 ½	10 13/16	18 1/8	4 15/16	699

Tolerance: ± 5%, machined parts ± 1/32 inch

03-07-2018