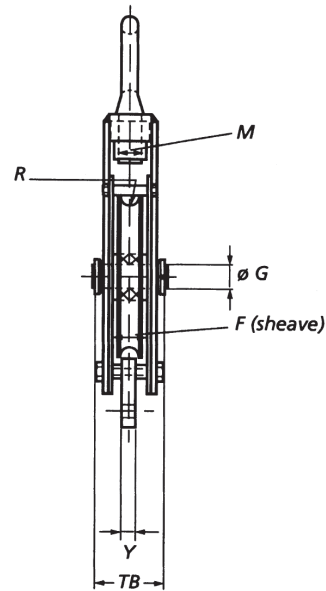
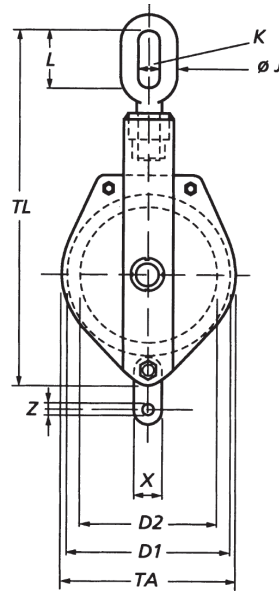


## CARGO BLOCKS WITH BECKET



- Stud eye
- Clevis

Model No.	WLL (UStons)	Wire up to (inch)	Dimensions (inch)															Weight (lbs)
			D1	D2	F	øG	øJ	K	L	M	R	TA	TB	TL	X	Y	Z	
BBC 210.18.1.6.O.B	6.6	1 1/16	9.84	8.27	1.77	1.38	1.14	1.77	4.25	1.65	0.37	10.63	4.13	24.80	1.97	0.98	0.98	49
BBC 255.20.1.9.O.B	9.9	1 3/16	11.81	10.04	1.97	1.57	1.42	2.13	4.92	2.05	0.43	12.60	4.92	29.53	2.56	1.18	1.30	77
BBC 305.22.1.12.O.B	13.2	7/8	13.78	12.01	2.36	1.77	1.61	2.36	5.67	2.20	0.47	14.96	5.51	33.07	2.56	1.18	1.30	121
BBC 345.24.1.15.O.B	16.5	1 5/16	15.75	13.58	2.56	1.97	1.81	2.60	6.42	2.52	0.51	16.93	6.02	38.58	3.54	1.57	1.65	179
BBC 390.28.1.24.O.B	26.5	1 1/2	17.72	15.35	2.76	2.76	2.36	3.15	7.68	2.99	0.59	18.90	6.69	44.49	3.74	1.77	1.89	320

Minimum Ultimate Strength = 4 x WLL

WLL= Working Load Limit on head fitting.

- Standard fitted with cylindrical roller bearings.
- Cargo blocks can also be supplied with jaw, stud eye or duckbill eye.
- Groove in sheave may be adjusted to other wire rope diameters.



**SEE OUR WARNING & SAFETY INFORMATION**