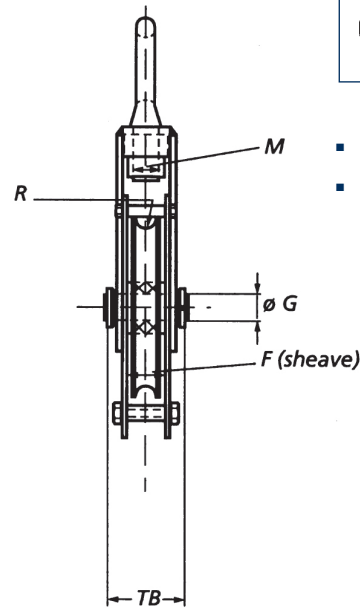
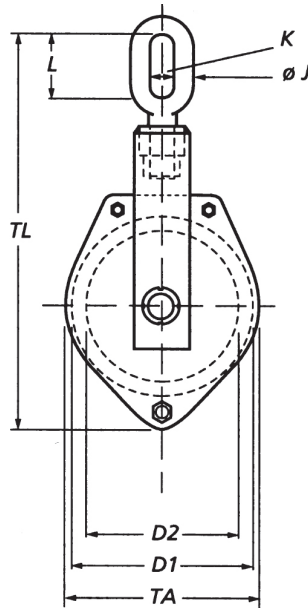
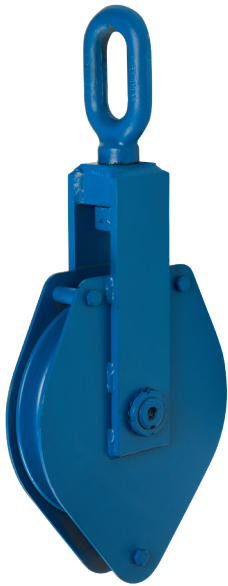


CARGO BLOCKS WITHOUT BECKET



- Stud eye
- Clevis

Model No.	WLL (UStons)	Wire up to (inch)	Dimensions (inch)											Weight (lbs)	
			D1	D2	F	øG	øJ	K	L	M	R	TA	TB		TL
BBC 210.18.1.4.O	4.4	1 ¹ / ₁₆	9.84	8.27	1.77	1.38	1.02	1.57	3.70	1.30	0.37	10.63	4.29	23.43	44
BBC 255.20.1.6.O	6.6	1 ³ / ₁₆	11.81	10.04	1.97	1.57	1.14	1.77	4.25	1.65	0.43	12.60	4.72	27.76	68
BBC 305.22.1.8.O	8.8	7 ⁷ / ₈	13.78	12.01	2.36	1.77	1.26	1.93	4.53	1.77	0.47	14.96	5.04	30.71	108
BBC 345.24.1.10.O	11.0	1 ⁵ / ₁₆	15.75	13.58	2.56	1.97	1.42	2.13	4.92	2.05	0.51	16.93	6.14	35.43	154
BBC 390.28.1.16.O	17.6	1 1 ¹ / ₈	17.72	15.35	2.76	2.36	1.81	2.60	6.42	2.52	0.59	18.90	6.54	41.73	231

Minimum Ultimate Strength = 4 x WLL

WLL= Working Load Limit on head fitting.

- Standard fitted with cylindrical roller bearings.
- Cargo blocks can also be supplied with jaw, stud eye or duckbill eye.
- Groove in sheave may be adjusted to other wire rope diameters.



SEE OUR WARNING & SAFETY INFORMATION