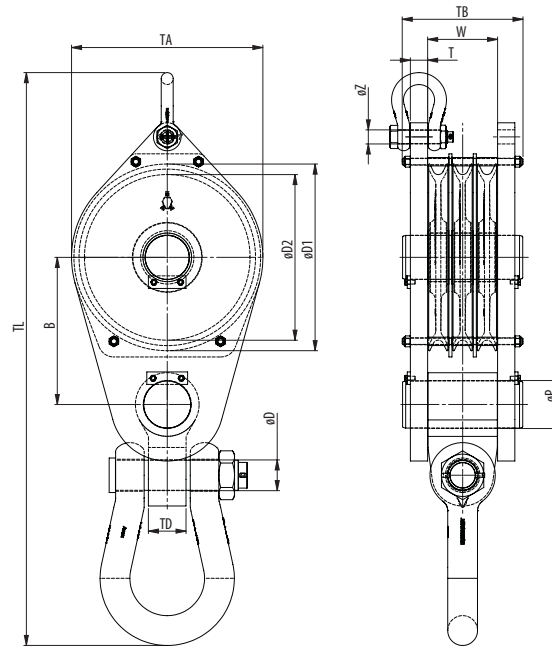
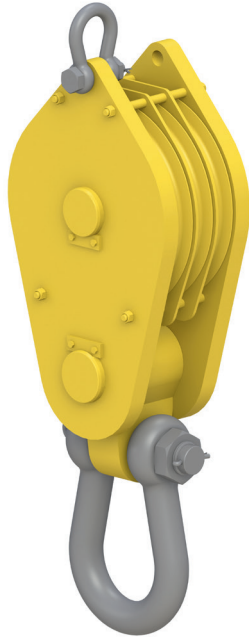


CONSTRUCTION BLOCK WITH SHACKLE

3 SHEAVES



Model No.	WLL (UStons)	For wire ød (inch)	Dimensions (inch)												Weight (lbs)
			øD1	øD2	B	øD	øP	TD	øZ	T	TA	TB	TL	W	
CB 260.xx.3.36,5	40	½ - 5/8	11.8	10.2	10.7	2.4	3.1	2.4	1.1	1.2	12.2	9.9	39.6	5.8	298
CB 320.xx.3.55	60	5/8 - ¾	14.4	12.6	12.5	2.9	3.9	3.1	1.2	1.4	14.8	11.3	48.0	6.8	509
CB 355.xx.3.73	80	¾ - 7/8	16.1	14.0	14.1	3.4	5.1	4.3	1.6	1.8	16.5	13.1	57.6	7.8	825
CB 400.xx.3.91	100	¾ - 1	18.1	15.7	15.3	3.4	5.1	4.3	1.6	1.8	18.5	13.4	59.9	7.8	988
CB 450.xx.3.110	121	7/8 - 1 1/8	20.3	17.7	16.9	3.9	5.9	4.7	1.8	2.2	20.9	15.2	68.7	8.8	1513
CB 528.xx.3.127	140	7/8 - 1 1/4	23.4	20.8	18.5	3.9	5.9	4.7	1.8	2.2	24.0	15.2	71.9	8.8	1813
CB 575.xx.3.145	160	1 - 1 7/16	25.6	22.6	20.2	4.4	6.7	5.5	2.1	2.4	26.4	17.6	79.1	10.5	2510
CB 630.xx.3.165	182	1 - 1 1/2	28.0	24.8	21.4	4.4	6.7	5.5	2.1	2.4	28.7	17.6	81.5	10.5	2656

Minimum Ultimate Strength = 4 x WLL

- Standard delivered with bronze bearing
- The dimensions in this table are indicative only. A drawing will always be submitted prior production and will be the leading document when discussing dimensions.
- Blocks shown here are standard models; inquiries for custom versions are welcome.
- Refer to wire rope manufacturers D/d ratio guideline.



SEE OUR WARNING & SAFETY INFORMATION

