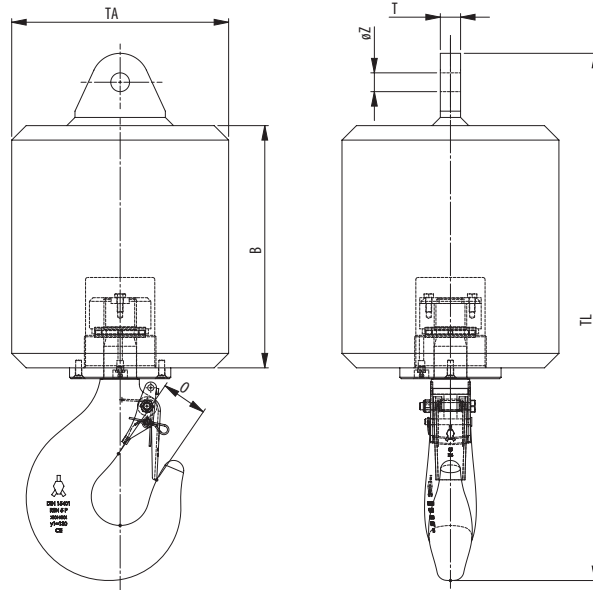


OVERHAUL BALLS



Model No.	WLL (UStons)	For wire ød (inch)	Hook	Becket	Dimensions (inch)						Weight (lbs)
					B	O	TA	TL	T	øZ	
OHB 3,2.60.C-1	3.5	½	2.5	1	7.9	2.0	8.7	19.7	0.9	1.1	130
OHB 3,2.60.C-2	3.5	⅞ - 5/8	2.5	2	7.9	2.0	8.7	19.9	1.1	1.3	130
OHB 5.80.C-2	5.5	⅞ - 5/8	2.5	2	8.7	2.0	9.4	22.3	1.1	1.3	175
OHB 6,3.80.C-2	6.9	⅞ - 5/8	2.5	2	8.7	2.0	9.4	22.3	1.1	1.3	175
OHB 8.130.C-3	8.8	¾	4	3	12.2	2.2	10.1	28.3	1.4	1.5	285
OHB 8.170.C-3	8.8	¾	4	3	13.4	2.2	10.9	26.8	1.4	1.5	375
OHB 8.200.C-3	8.8	¾	5	3	13.2	2.5	11.8	28.7	1.1	1.0	440
OHB 8.250.C.3	8.8	¾	4	3	15.7	2.2	12.5	34.0	1.4	1.5	550
OHB 10.210.C-4	11	⅞	4	4	15.0	2.2	11.7	29.6	1.6	1.7	460
OHB 10.250.C-5	11	1	4	5	15.7	2.2	12.5	30.4	1.8	2.0	550
OHB 12.328.C-4	13.2	⅞	5	4	15.8	2.5	13.8	34.6	1.6	1.7	722
OHB 12,5.200.C-4	13.75	⅞	5	4	13.2	2.5	11.8	31.3	1.6	1.7	440
OHB 12,5.250.C-5	13.75	1	5	5	15.7	2.5	12.5	32.6	1.8	2.0	550
OHB 12,5.370.C-5	13.75	1	5	5	17.7	2.5	13.8	34.6	1.8	2.0	814
OHB 16.370.C-5	17.6	1	6	5	17.7	2.8	12.5	38.7	1.8	2.0	814
OHB 16.450.C-5	17.6	1	6	5	17.3	2.8	15.7	38.3	1.8	2.0	990
OHB 16.545.P-5	17.6	1	6	5	18.1	2.8	17.7	39.5	1.8	2.0	1200
OHB 20.575.P-6	22	1 ⅞	8	6	18.5	3.1	16.0	42.3	2.0	2.3	1265
OHB 20.725.P-6	22	1 ⅞	8	6	24.0	3.1	17.7	47.2	2.0	2.3	1600
OHB 20.910.P-6	22	1 ⅞	8	6	24.2	3.1	19.7	47.4	2.0	2.3	2000
OHB 25.725.P-7	27.5	1 ¼	8	7	20.1	3.1	18.1	42.4	2.4	2.6	1600
OHB 25.725.P-8	27.5	1 ⅜	8	8	20.1	3.1	18.1	42.4	2.4	2.6	1600
OHB 25.910.P-7	27.5	1 ¼	8	7	24.0	3.1	18.1	46.4	2.4	2.6	2000
OHB 25.910.P-8	27.5	1 ⅜	8	8	24.0	3.1	18.1	46.4	2.4	2.6	2000
OHB 32.365.P-8	35	1 ⅞	10	6	15.7	3.5	14.6	49.6	2.6	2.6	800
OHB 32.725.P-7	35	1 ¼	10	7	23.6	3.5	17.7	45.4	2.4	2.6	1600
OHB 32.910.P-9	35	1-½	10	9	24.2	3.5	19.7	46.0	2.8	2.8	2000

Minimum Ultimate Strength = 4 x WLL

- The dimensions in this table are indicative only. A drawing will always be submitted prior to production and will be the leading document when discussing dimensions.
- Overhaul Balls shown here are standard models; inquiries for custom versions are welcome.



SEE OUR WARNING & SAFETY INFORMATION