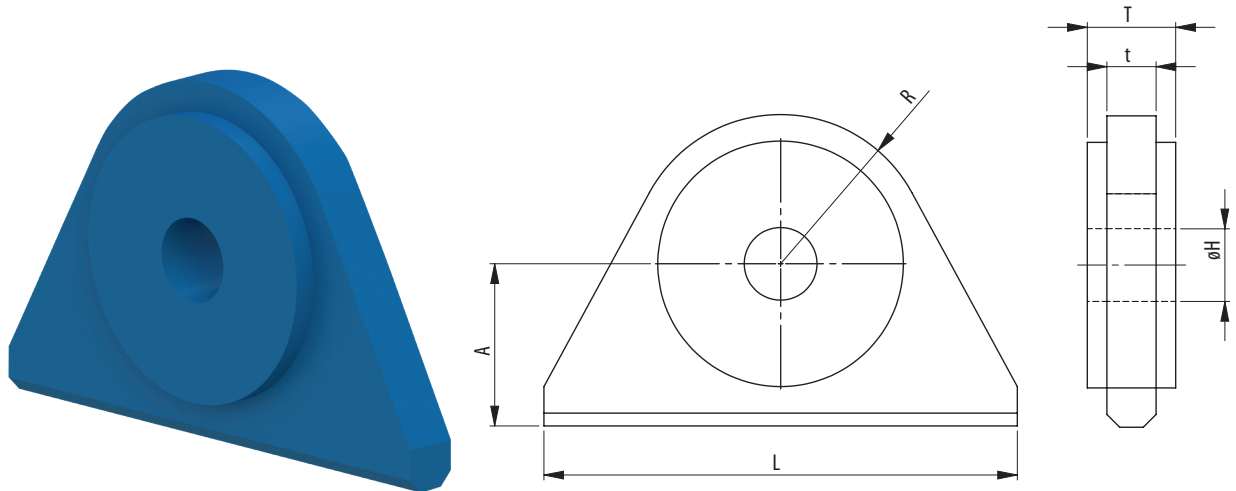


PAD EYES TYPE S



Model No.	Shackle size	WLL (UStons)	Dimensions (inch)						Weight (lbs)
			L	A	øH	R	t	T	
PE 14.11,5.1	3/8	1.1	2.99	1.26	0.45	1.02	0.55	0.55	0.7
PE 15.13,5.1,5	7/16	1.7	3.54	1.26	0.53	1.26	0.59	0.59	1.1
PE 18.17.2	1/2	2.2	3.94	1.50	0.67	1.38	0.71	0.71	1.5
PE 22.20.3,25	5/8	3.6	4.53	1.77	0.79	1.50	0.87	0.87	3.3
PE 25.23.4,75	3/4	5.2	5.51	2.01	0.91	1.77	0.98	0.98	4.4
PE 30.26.6,5	7/8	7.2	5.91	2.24	1.02	2.01	1.18	1.18	6.6
PE 35.29,5,8,5	1	9.4	7.09	2.52	1.16	2.52	1.38	1.38	11
PE 40.33,5,9,5	1 1/8	10.5	7.99	2.99	1.32	2.99	1.57	1.57	17
PE 45.37.12	1 1/4	13.2	8.50	3.27	1.46	3.27	1.77	1.77	22
PE 50.40.13,5	1 3/8	14.9	8.98	3.50	1.57	3.50	1.18	1.97	22
PE 50.44.17	1 1/2	18.7	11.02	5.51	1.73	4.02	1.57	1.97	40
PE 60.53.25	1 3/4	27.6	12.01	5.51	2.09	4.76	1.57	2.36	51
PE 70.60.35	2	38.6	14.02	6.02	2.36	5.24	1.97	2.76	77
PE 90.74.55	2 1/2	60.6	18.98	6.50	2.91	5.98	1.97	3.54	121
PE 110.87.85	3	93.7	22.01	7.99	3.43	7.01	2.36	4.33	198
PE 120.100.120	3 1/2	132.3	27.99	10.00	3.94	9.02	2.76	4.72	375
PE 150.114.150	4	165.3	32.01	11.02	4.49	10.00	3.15	5.91	551

Minimum Ultimate Strength = 6 x WLL

- Pad eyes will be supplied including material certificates (S355J2G3, EN 10204 3.1)
- $T \geq 75\%$ of inside width of shackle.
- $H \leq 106\%$ of diameter of pin.
- Well primer applied



SEE OUR WARNING &
SAFETY INFORMATION