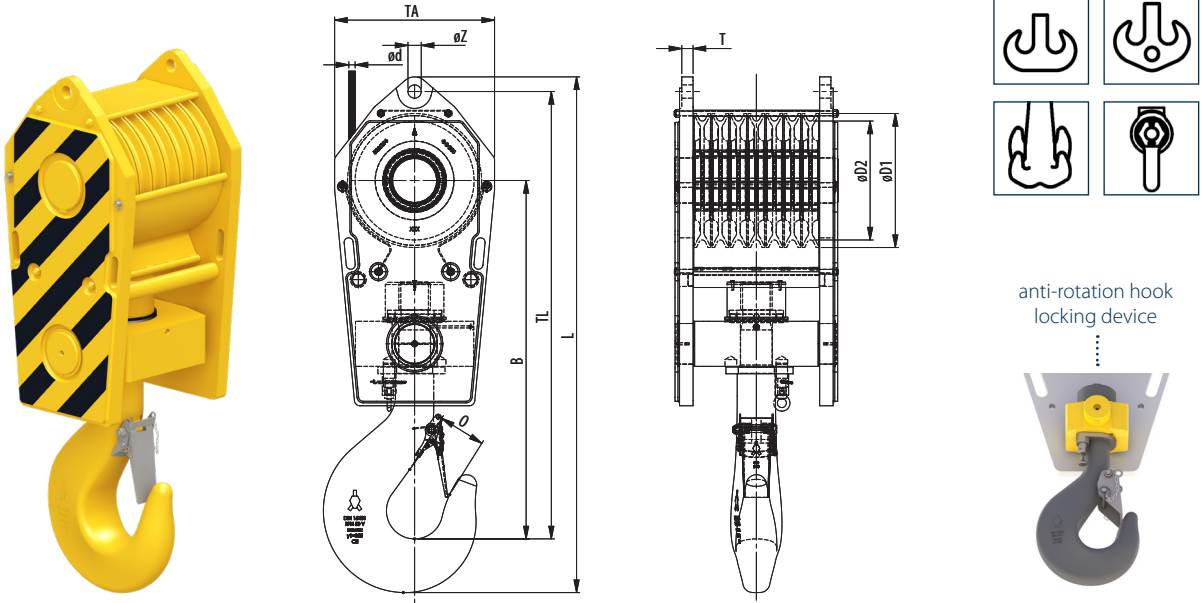


FAST REEVE CRANE BLOCKS

7 SHEAVES



| Model No. | WLL (UStons) | For wire ød (inch) | Hook size | Dimensions (inch) | | | | | | | | | Weight (lbs) |
|---------------------|--------------|--------------------|-----------|-------------------|------|------|-----|------|------|------|-----|-----|---------------------|
| | | | | øD1 | øD2 | B | O | TA | TL | L | T | øZ | |
| FRB 355.xx.7.75.E | 82.5 | 5/16 - 7/8 | 16 | 16.1 | 14 | 39.2 | 4.4 | 18.9 | 49.8 | 56.8 | TBD | TBD | 1600 |
| FRB 400.xx.7.100.E | 110 | 5/8 - 1 | 20 | 18.1 | 15.7 | 43.6 | 4.9 | 22.4 | 55.6 | 63.4 | TBD | TBD | 2400 |
| FRB 400.xx.7.118.E | 130 | 5/8 - 1 | 25 | 18.1 | 15.7 | 48.9 | 5.5 | 22.4 | 60.9 | 69.4 | TBD | TBD | 2400 |
| FRB 400.xx.7.127.D | 140 | 5/8 - 1 | 32 | 18.1 | 15.7 | 47.8 | 6.3 | 22.4 | 59.8 | 68.3 | TBD | TBD | 2850 |
| FRB 450.xx.7.127.E | 140 | 3/4 - 1 1/8 | 32 | 20.3 | 17.7 | 54.3 | 6.3 | 23.6 | 67.4 | 76.9 | TBD | TBD | 3150 |
| FRB 450.xx.7.137.E | 150 | 3/4 - 1 1/8 | 32 | 20.3 | 17.7 | 54.3 | 6.3 | 23.6 | 67.4 | 76.9 | TBD | TBD | 3100 |
| FRB 450.xx.7.160.D | 176 | 3/4 - 1 1/8 | 40 | 20.3 | 17.7 | 58.2 | 7.1 | 23.6 | 71.4 | 80.8 | TBD | TBD | 3930 |
| FRB 528.xx.7.160.D | 176 | 7/8 - 1 1/4 | 40 | 23.4 | 20.8 | 58.6 | 7.1 | 31.1 | 73.9 | 83.5 | TBD | TBD | 3300 4950 6600* |
| FRB 528.xx.5.171.D | 188 | 7/8 - 1 1/4 | 40 | 23.4 | 20.8 | 55.9 | 7.1 | 31.1 | 71.1 | 81 | TBD | TBD | 5940 |
| FRB 575.xx.7.171.D | 188 | 1 1/16 - 1 1/4 | 40 | 25.6 | 22.6 | 56.8 | 7.1 | 30.4 | 72.7 | 82.6 | TBD | TBD | 5940 |
| FRB 528.xx.7.182.E | 200 | 7/8 - 1 1/4 | 40 | 23.4 | 20.8 | 59.5 | 7.1 | 27.9 | 74.3 | 85.4 | TBD | TBD | 6160 |
| FRB 528.xx.7.200.D | 220 | 7/8 - 1 1/4 | 50 | 23.4 | 20.8 | 58.8 | 7.9 | 27.9 | 74.3 | 84.2 | TBD | TBD | 5280 |
| FRB 575.xx.7.209.D | 230 | 1 1/16 - 1 1/4 | 50 | 25.6 | 22.6 | 59.9 | 7.9 | 30.3 | 76.4 | 87.4 | TBD | TBD | 6500 7500 |
| FRB 575.xx.7.209.D | 230 | 1 1/16 - 1 1/4 | 50 | 25.6 | 22.6 | 59.9 | 7.9 | 30.3 | 76.4 | 87.5 | TBD | TBD | 5500 7500 8500* |
| FRB 575.xx.7.209.D | 230 | 1 1/16 - 1 1/4 | 50 | 25.6 | 22.6 | 59.9 | 7.9 | 30.3 | 76.4 | 87.5 | TBD | TBD | 5500 7500 9500* |
| FRB 630.xx.7.209.D | 230 | 1 - 1 3/8 | 50 | 27.9 | 24.8 | 60.8 | 7.9 | 32.6 | 78.4 | 89.6 | TBD | TBD | 5500 7500 9500* |
| FRB 670.xx.7.209.D | 230 | 1 - 1 1/2 | 50 | 29.9 | 26.4 | 63.1 | 7.9 | 34.3 | 82.2 | 93.1 | TBD | TBD | 6500* 9500** |
| FRB 670.xx.7.228.D | 250 | 1 - 1 1/2 | 50 | 29.9 | 26.4 | 63.1 | 7.9 | 34.3 | 82.2 | 93.1 | TBD | TBD | 6500 7700* |
| FRB 670.xx.7.250.DB | 275 | 1 - 1 1/2 | 63 | 29.9 | 26.4 | 64.6 | 8.8 | 34.3 | 83.8 | 99.5 | TBD | TBD | 10000* |
| FRB 528.xx.7.272.D | 300 | 7/8 - 1 1/4 | 63 | 23.4 | 20.8 | 61.8 | 8.8 | 27.9 | 77.2 | 88.8 | TBD | TBD | 6450 |

Minimum Ultimate Strength = 4 x WLL

xx = to be replaced by metric wire size in final part number; TBD = these dimensions vary with wire size;

* blocks can be fitted with removable / interchangeable cheek weights

- The dimensions in this table are indicative only. A drawing will always be submitted prior to production and will be the leading document when discussing dimensions.
- Blocks shown here are standard models; inquiries for custom versions are welcome.
- Refer to wire rope manufacturers D/d ratio guideline.
- Hook locking pin included on all blocks 45UStons and higher.

