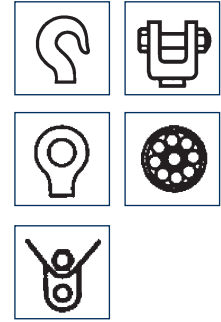
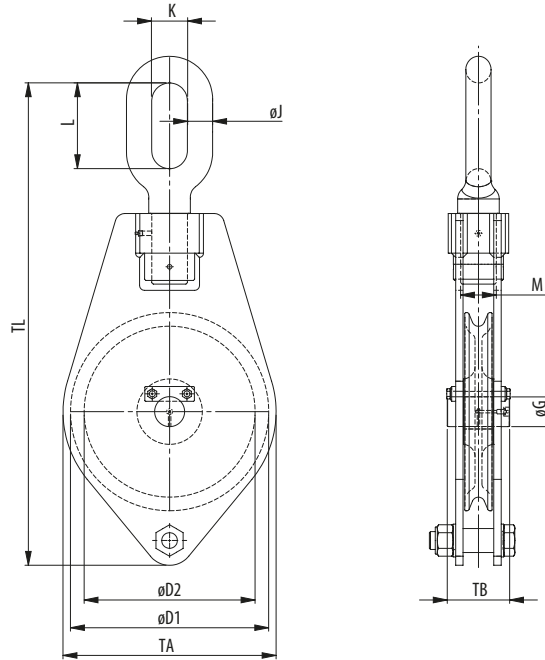


SAMSON WIRE ROPE BLOCKS

1 SHEAVE



- Hook
- Jaw
- Stud eye
- Roller bearings
- Becket

Model No. (+B for w. becket)	WLL (USTons)	for wire ød (inch)	Dimensions (inch)										Weight (lbs)
			øD1	øD2	øG	øJ	K	L	M	TA	TB	TL	
WB 80.8.1.0.75.O	0.8	5/16	3.94	3.15	0.59	0.47	0.83	1.89	0.63	4.33	1.77	10.83	4
WB 105.10.1.1.1.O	1.1	3/8	4.92	4.13	0.87	0.63	1.02	2.28	0.71	5.31	2.05	13.23	7
WB 120.12.1.2.0	2.2	1/2	5.91	4.72	1.18	0.63	1.02	2.28	0.94	6.69	2.91	16.02	13
WB 165.14.1.3.0	3.3	5/16	7.87	6.50	1.18	0.83	1.26	2.83	1.18	8.66	2.91	19.69	22
WB 210.18.1.4.0	4.4	11/16	9.84	8.27	1.38	1.02	1.57	3.70	1.30	10.63	3.19	23.94	40
WB 255.20.1.6.0	6.6	13/16	11.81	10.04	1.57	1.14	1.77	4.25	1.65	12.60	3.46	27.80	60
WB 305.22.1.8.0	8.8	7/8	13.78	12.01	1.77	1.26	1.93	4.49	1.77	14.96	3.62	30.63	97
WB 305.22.1.10.O	11.0	7/8	13.78	12.01	1.97	1.42	2.13	4.92	2.05	14.96	4.33	31.30	110
WB 345.24.1.10.O	11.0	15/16	15.75	13.58	1.97	1.42	2.13	4.92	2.05	16.93	4.33	33.39	132
WB 305.22.1.12.O	13.2	7/8	13.78	12.01	1.97	1.61	2.36	5.67	2.20	14.96	4.49	32.32	130
WB 345.24.1.12.O	13.2	15/16	15.75	13.58	2.36	1.61	2.36	5.67	2.20	16.93	4.65	36.46	165
WB 305.22.1.16.O	17.6	7/8	13.78	12.01	1.97	1.81	2.60	6.42	2.52	14.96	4.49	34.61	152
WB 345.24.1.16.O	17.6	15/16	15.75	13.58	2.36	1.81	2.60	6.42	2.52	16.93	4.65	37.76	179
WB 345.24.1.20.O	22.0	15/16	15.75	13.58	2.36	2.01	2.83	6.81	2.83	16.93	4.65	38.98	214
WB 390.28.1.20.O	22.0	1 1/8	17.72	15.35	2.76	2.01	2.83	6.81	2.83	18.90	5.04	41.18	240
WB 390.28.1.25.O	27.6	1 1/8	17.72	15.35	2.76	2.36	3.15	7.68	2.99	18.90	5.04	43.50	287
WB 390.28.1.30.O	33.1	1 1/8	17.72	15.35	2.76	2.36	3.54	8.66	3.15	18.90	5.28	45.08	331

Minimum Ultimate Strength = 5 x WLL

WLL= Working Load Limit on head fitting.

- All blocks up to 30 tons are standard supplied with swivel oval eye, for over 30 tons with swivel stud eye.
- All blocks can be supplied with swivel hook, swivel stud eye or swivel jaw.
- Standard supplied with bronze bearings.
- Other bearings available on request.
- Groove in sheave may be adjusted to other wire rope diameters.



SEE OUR WARNING & SAFETY  
INFORMATION ON PAGES 136 - 149

