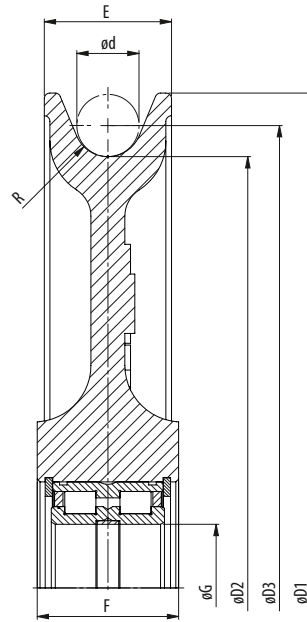


CAST SHEAVES, RIGGING

WITH CYLINDRICAL ROLLER BEARINGS



Model No.	Dimensions (inch)								Bearing	Weight (lbs)
	Sheave tread ø	Shaft ø	For wire ød	Groove radius	Outer ø	P.C.D.	Rim width	Bearing width		
	øD2	øG	d	R	øD1	øD3	E	F		
SEF.120.5005.6,5	4.72	0.98	0.47	0.26	5.91	5.20	1.42	1.57/1.18	SL04 5005 PP	15
SEF.120.5006.6,5	4.72	1.18	0.47	0.26	5.91	5.20	1.42	1.57/1.33	SL04 5006 PP	7
SEF.165.5006.7,5	6.50	1.18	0.55	0.30	7.87	7.05	1.42	1.57/1.33	SL04 5006 PP	10
SEF.195.5012.12	7.68	2.36	0.87	0.47	9.84	8.54	1.97	2.36	SL04 5012 PP	29
SEF.210.5007.9,5	8.27	1.38	0.71	0.37	9.84	8.98	1.57	1.77/1.41	SL04 5007 PP	18
SEF.255.5008.9,5	8.27	1.57	0.71	0.39	9.84	8.98	1.34	1.50	SL04 5008 PP	13
SEF.210.5008.6	8.27	1.57	0.43	0.24	9.84	8.70	1.34	1.50	SL04 5008 PP	14
SEF.210.5008.9,5	8.27	1.57	0.71	0.37	9.84	8.98	1.57	1.77/1.41	SL04 5008 PP	18
SEF.250.5013.13	9.84	2.56	0.94	0.51	11.81	10.79	2.17	2.36	SL04 5013 PP	29
SEF.255.5008.11	10.04	1.57	0.79	0.43	11.81	10.83	1.77	1.96/1.49	SL04 5008 PP	26
SEF.255.5010.8,5	10.04	1.97	0.63	0.33	11.81	10.67	1.42	1.57	SL04 5010 PP	19
SEF.305.5009.12	12.01	1.77	0.87	0.47	13.78	12.87	1.77	1.96/1.57	SL04 5009 PP	37
SEF.305.5012.8,5	12.01	2.36	0.63	0.33	13.78	12.64	1.77	1.81	SL04 5012 PP	30
SEF.305.5015.14	12.01	2.95	1.02	0.55	13.78	13.03	2.76	2.76	SL04 5015 PP	51
SEF.345.5010.13	13.58	1.97	0.94	0.51	15.75	14.53	2.17	2.36/1.57	SL04 5010 PP	53
SEF.345.5018.15	13.58	3.54	1.10	0.59	15.75	14.69	2.95	2.13	SL04 5018 PP	66
SEF.345.5014.9,5	13.58	4.72	0.71	0.37	15.75	14.29	1.97	2.13	SL04 5024 PP	48
SEF.390.5011.15	15.35	2.17	1.10	0.59	17.72	16.46	2.36	2.76/1.81	SL04 5011 PP	106
SEF.390.5016.11	15.35	3.15	0.79	0.43	17.72	16.14	2.36	2.36	SL04 5016 PP	68
SEF.390.5020.17	15.35	3.94	1.26	0.67	17.72	16.61	2.95	3.35	SL04 5020 PP	84
SEF.430.5012.16	16.93	2.36	1.18	0.63	19.69	18.11	2.76	3.14/1.81	SL04 5012 PP	97
SEF.430.5018.12	16.93	3.54	0.87	0.47	19.69	17.80	2.76	2.64	SL04 5018 PP	98
SEF.430.5024.19,5	16.93	4.72	1.42	0.77	19.69	18.35	2.95	4.13	SL04 5024 PP	169
SEF.480.5014.18	18.90	2.76	1.34	0.71	21.65	20.24	2.76	3.14/2.12	SL04 5014 PP	121
SEF.480.5024.21,5	18.90	4.72	1.57	0.85	21.65	20.47	3.15	4.13	SL04 5024 PP	209
SEF.520.5016.19	20.47	3.15	1.42	0.75	23.62	21.89	3.35	4.13/2.36	SL04 5016 PP	176
SEF.560.5020.20,5	22.05	3.94	1.54	0.81	26.18	23.58	3.94	4.33	SL04 5020 PP	242
SEF.630.5024.21,5	24.80	4.72	1.57	0.85	27.95	26.38	3.35	4.33/3.14	SL04 5024 PP	275
SEF.710.5030.23,5	27.95	5.91	1.73	0.93	31.89	29.69	3.86	3.94	SL04 5030 PP	289
SEF.710.5030.22,5	27.95	5.91	1.65	0.89	31.89	29.61	3.86	3.94	SL04 5030 PP	418
SEF.800.5032.23,5	31.50	6.30	1.73	0.93	36.22	33.23	3.94	4.29	SL04 5032 PP	473
SEF.920.5032.25,5	36.22	6.30	1.89	1.00	40.55	38.11	5.12	5.91	SL04 5032 PP	836
SEF.1020.5036.27,5	40.16	7.09	2.05	1.08	45.67	42.20	5.51	6.30	SL04 5036 PP	1188

- Different shaft sizes possible.
- Groove may be adjusted to other wire rope diameters.



SEE OUR WARNING & SAFETY INFORMATION ON PAGES 136 - 149

