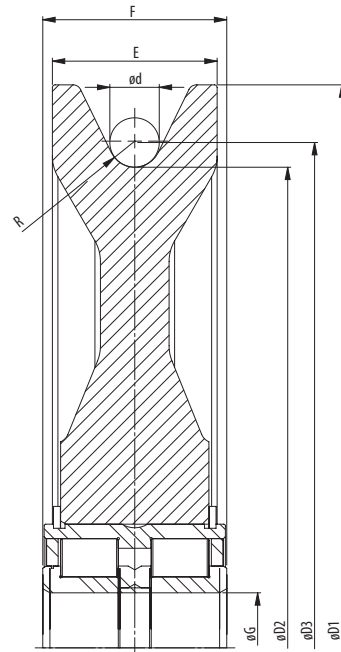
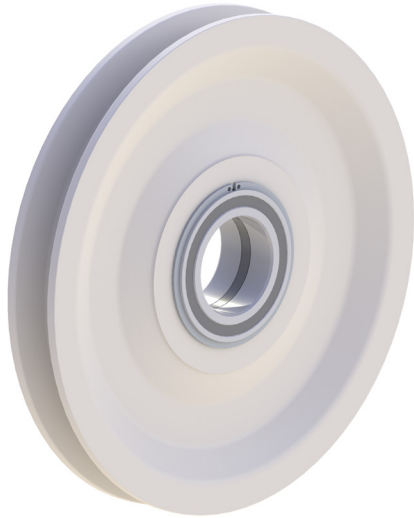


PLASTIC SHEAVES

Made fully out of Polyamid, plastic wire rope sheaves are the most lightweight sheaves in the Ropeblock portfolio. They come in many sizes, up to approx. 1000 mm (for larger diameters a hybrid solution can be considered). Plastic sheaves are cost efficient and usually available from stock.


**PLEASE NOTE THAT PLASTIC SHEAVES
ARE NOT SUITABLE FOR ALL CONDITIONS.
WE WILL BE HAPPY TO ADVISE.**





Model No.	Dimensions (inch)								Bearing	Weight (lbs)
	Sheave tread ø	Shaft ø	For wire ød	Groove radius	Outer ø	P.C.D.	Rim width	Bearing width		
	øD2	øG	d	R	øD1	øD3	E	F		
SE.260.5010.6,5.K	10.24	1.97	0.47	0.26	11.81	10.71	1.34	1.57	SL04 5010PP	6
SE.285.5012.6,5.K	11.22	2.36	0.47	0.26	12.80	11.69	1.34	1.81	SL04 5012PP	9
SE.350.5014.14.K	13.78	2.76	1.02	0.55	16.38	14.80	2.05	2.13	SL04 5014PP	13
SE.352.5013.9,5.K	13.86	2.56	0.67	0.37	15.75	14.53	1.65	1.81	SL04 5013PP	12
SE.352.5013.8,5.K	13.86	2.56	0.63	0.33	15.75	14.49	1.65	1.81	SL04 5013PP	12
SE.352.5016.8,5.K	13.86	3.15	0.63	0.33	15.75	14.49	1.97	2.36	SL04 5016PP	17
SE.400.5018.10,5.K	15.75	3.54	0.75	0.41	18.11	16.50	2.36	2.64	SL04 5018PP	22
SE.400.5018.10.K	15.75	3.54	0.71	0.39	18.11	16.46	2.36	2.64	SL04 5018PP	24
SE.400.5024.10.K	15.75	4.72	0.71	0.39	18.11	16.46	2.83	3.15	SL04 5024PP	31
SE.400.160.10.K	15.75	6.30	0.71	0.39	18.11	16.46	2.83	3.15	SL04 160PP	30
SE.482.5018.12.K	18.98	3.54	0.87	0.47	21.97	19.84	2.44	2.64	SL04 5018PP	29
SE.482.5018.11,5.K	18.98	3.54	0.83	0.45	22.05	19.80	2.44	2.64	SL04 5018PP	31
SE.482.5024.11,5.K	18.98	4.72	0.83	0.45	22.05	19.80	2.83	3.15	SL04 5024PP	39
SE.482.160.11,5.K	18.98	6.30	0.83	0.45	22.05	19.80	2.83	3.15	SL04 160PP	38
SE.528.5018.14.K	20.79	3.54	1.02	0.55	23.46	21.81	2.44	2.64	SL04 5018PP	33
SE.528.5018.12.K	20.79	3.54	0.87	0.47	23.46	21.65	2.36	2.64	SL04 5018PP	33
SE.528.5018.13.K	20.79	3.54	0.94	0.51	23.46	21.73	2.44	2.64	SL04 5018PP	33
SE.528.5018.8,5.K	20.79	3.54	0.63	0.33	23.46	21.42	2.44	2.64	SL04 5018PP	34
SE.528.5024.13.K	20.79	4.72	0.94	0.51	23.46	21.73	2.83	3.15	SL04 5024PP	46
SE.528.160.13.K	20.79	4.72	0.94	0.51	23.46	21.73	2.83	3.15	SL04 160PP	49
SE.630.160.15,5.K	24.80	6.30	1.10	0.61	27.95	25.91	2.95	3.15	SL04 160PP	62
SE.662.5026.15,5.K	26.06	5.12	1.10	0.61	29.21	27.17	3.15	3.74	SL04 5026PP	76
SE.772.5026.15,5.K	30.39	5.12	1.10	0.61	33.54	31.50	3.15	3.74	SL04 5026PP	101

- The dimensions in this table are indicative only. A drawing will always be submitted prior to production and will be the leading document when discussing dimensions.
- Sheaves shown here are standard models; inquiries for custom versions are welcome.


SEE OUR WARNING & SAFETY INFORMATION ON PAGES 136 - 149

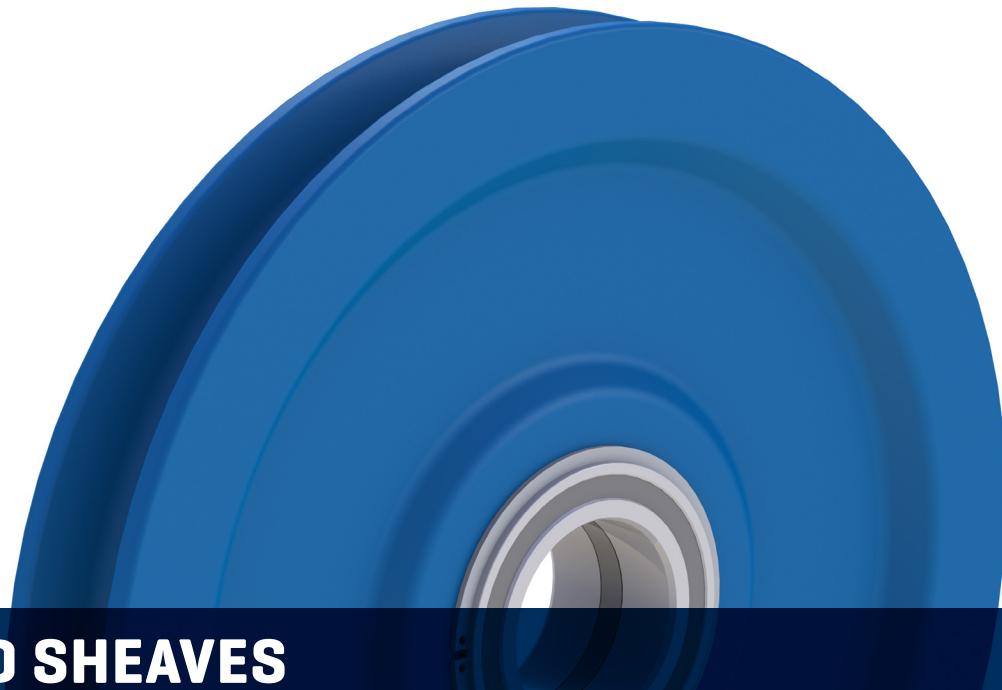




WELDED SHEAVES

Ropeblock welded steel sheaves are available in a range of standard models. However, it's in more customized solutions that this type of sheave really comes into its own.

Examples include applications with unusual axle sizes and/or extremely large diameters, where timing is also a key factor.



SOLID SHEAVES

Ropeblock sheaves from solid materials make for quick solutions. As we manufacture these sheaves in a simple yet highly efficient process, we can supply them quickly and in many different sizes.

Solid steel wire rope sheaves, especially, offer plenty of room for customization in terms of sizes, materials and bearing systems.



FORGED SHEAVES

Although the material properties of forged sheaves can be very similar to those of other materials, this type of sheave can be a very adequate choice for specific applications.

AVAILABLE FINISHES (DEPENDS ON THE APPLICATION)

Segment / application	ISO 12944 classification	Classification description	Expected protection duration	DFT (µm)
Construction	C2M	Slightly polluted atmosphere, predominately agriculture areas	5 to 15 year	120
Construction	C3M	Industrial and residential air pollution levels, with an average sulfur dioxide (IV) contamination level. Coastal areas with low salt content in air	2 to 5 year	120
Construction	C3M	Industrial and residential air pollution levels, with an average sulfur dioxide (IV) contamination level. Coastal areas with low salt content in air	5 to 15 year	160
Cargo handling	C3M	Industrial and residential air pollution levels, with an average sulfur dioxide (IV) contamination level. Coastal areas with low salt content in air	5 to 15 year	160
Cargo handling	C4H	Industrial areas and coastal areas with average salt content in air	more than 15 year	280
Cargo handling	C5-MM	Coastal areas and open sea with high salt content in air	5 to 15 year	280
Offshore	C4H	Industrial areas and coastal areas with average salt content in air	more than 15 year	300
Offshore	C5-MM	Coastal areas and open sea with high salt content in air	5 to 15 year	300
Offshore	C5-MH	Coastal areas and open sea with high salt content in air	more than 15 year	320
Offshore	NORSOK sys. 1*	Open sea with high salt content in air	more than 15 year	300



SEE OUR WARNING & SAFETY INFORMATION ON PAGES 136 - 149

